

**BUY NOW** 

# CrystaLatch™ 1x8 Series Fiber Optic Switch

(SM, PM, SM High Power, PM High Power, SM Bidirectional, PM Bidirectional, SM High Power Bidirectional, PM High Power Bidirectional)

(Protected by U.S. patents 7224860, 6757101, 6577430 and pending patents)

## Product Description

The CrystaLatch™ 1x8 Series fiber optical switch connects optical channels by redirecting an incoming optical signal into a selected output fiber. This is achieved using patented non-mechanical configurations and activated via an electrical control signal. Latching operation preserves the selected optical path after the drive signal has been removed. The all solid state CL 1x8 fiber optic switch features low insertion loss, high extinction ratio, high channel isolation, and extremely high reliability and repeatability. It is designed to meet the most demanding switching requirements of continuous operation without failure, longevity, operation under shock/vibration environment and large temperature variations, and fast response time.

The switch also has built-in Circulator and isolator functions. Electronic driver is available for this series of switches.

The magneto-optical crystals used in the CL switches have no fatigue nor drift effect.



## Features

- High Speed
- Non-Mechanical
- High Reliability
- Fail-Safe Latching
- Low Insertion Loss
- Rugged
- Compact
- Cost Effective
- Direct Low Voltage Drive

## Performance Specifications

CL Series 1x8 Switch	Min	Typical	Max	Unit	
Operation Wavelength <sup>[1]</sup>	1520	1550	1580	nm	
	1295	1310	1325	nm	
Insertion Loss <sup>[2]</sup>		1.2	2.2	dB	
Cross Talk <sup>[2]</sup>	Bidirectional Series		35	45	dB
	Unidirectional Series		40	50	dB
Return Loss <sup>[2]</sup>	50	55		dB	
PDL (SMF Series only)		0.15	0.35	dB	
Extinction Ratio (PMF Series only)	18	25		dB	
Polarization Mode Dispersion (SMF Series only)				0.2	ps
Optical Switching Speed (Rise, Fall)	5		10	µs	
Repetition Rate		2K		Hz	
Durability	10 <sup>15</sup>			cycle	
Optical Power Handling	Standard		300	500	mW
	High Power Series			2 <sup>[3]</sup>	W
Operating Temperature <sup>[3]</sup>	-5		70 <sup>[4]</sup>	°C	
Storage Temperature	-40		85	°C	
Fiber Type	SMF-28, Panda PM, or equivalent				
Weight	59			g	
Package Dimension	70.6L x 38.3W x 8.5H			mm	

[1]. Agiltron can achieve same SPEC at L band.  
 [2]. Measured without connectors.  
 [3]. Continuous operation, for pulse operation call.  
 [4]. The premium versions with the operating temperature larger than -5-+70°C are available, please see the ordering information.

## Applications

- Optical Signal Routing
- Network Protection
- Burst Switching
- Configurable Add/Drop
- Signal Monitoring
- Instrumentation

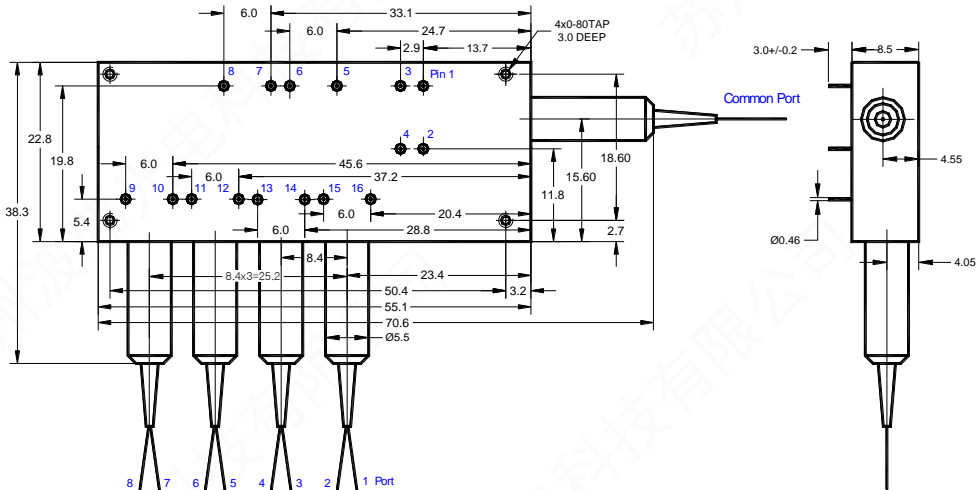


Revised on 02/13/23  
 (Click here for latest revision)

## 1x8 Series Fiber Optic Switch

(SM, PM, SM High Power, PM High Power, SM Bidirectional, PM Bidirectional, SM High Power Bidirectional, PM High Power Bidirectional)

### Mechanical Dimensions (Unit: mm)



\*Product dimensions may change without notice. This is sometimes required for non-standard specifications.

### Electrical Driving Information

Each switching point is actuated by applying a polarity voltage pulse through a pair of PINS, and latched after pulse removed.

Parameter	Minimum	Typical	Maximum	Unit
Resistance (each Pin group)	15	18	22	Ω
Switch Voltage	2.25	2.5	2.75 <sup>[1]</sup>	V
Pulse Duration	0.2	0.3	0.5	ms

[1]. Over this value will damage the device.

Driving kit with USB and/or RS232 or TTL interfaces is available. We provide GUI for USB and RS232 interface. Please contact sales for more information.

### Bidirectional series CL 1x8, or 8x1 Switch Electrical Driving Table

Optical Path	Pin Group 1		Pin Group 2		Pin Group 3		Pin Group 4		Pin Group 5		Pin Group 6		Pin Group 7		Pin Group 8	
	1	2	3	4	5	6	7	8	9	10	11	12	13	14	15	16
Common ↔ Port 1	+ <sup>[1]</sup>	-	+	-	-	+	-	+	+	-	+	-	-	+	+	-
Common ↔ Port 2	-	+	-	+	-	+	-	+	+	-	+	-	-	+	+	-
Common ↔ Port 3	+	-	-	+	-	+	-	+	+	-	+	-	+	-	-	+
Common ↔ Port 4	-	+	+	-	-	+	-	+	+	-	+	-	+	-	-	+
Common ↔ Port 5	+	-	-	+	+	-	+	-	+	-	-	+	-	+	-	+
Common ↔ Port 6	-	+	+	-	+	-	+	-	+	-	-	+	-	+	-	+
Common ↔ Port 7	+	-	-	+	+	-	-	+	-	+	+	-	-	+	-	+
Common ↔ Port 8	-	+	+	-	+	-	-	+	-	+	+	-	-	+	-	+

[1]. "+": 2.25~2.75V Pulse, Topical is 2.5V pulse; "-": Ground.

## 1x8 Series Fiber Optic Switch

(SM, PM, SM High Power, PM High Power, SM Bidirectional, PM Bidirectional, SM High Power Bidirectional, PM High Power Bidirectional)

### Unidirectional series CL 1x8, Switch Electrical Driving Table

Optical Path	Pin Group 1		Pin Group 2		Pin Group 3		Pin Group 4		Pin Group 5		Pin Group 6		Pin Group 7		Pin Group 8	
	1	2	3	4	5	6	7	8	9	10	11	12	13	14	15	16
Common→ Port 1	+ [1]	-	+	-	-	+	-	+	+	-	+	-	-	+	+	-
Common→ Port 2	-	+	-	+	-	+	-	+	+	-	+	-	-	+	+	-
Common→ Port 3	+	-	-	+	-	+	-	+	+	-	+	-	+	-	-	+
Common→ Port 4	-	+	+	-	-	+	-	+	+	-	+	-	+	-	-	+
Common→ Port 5	+	-	-	+	+	-	+	-	+	-	-	+	-	+	-	+
Common→ Port 6	-	+	+	-	+	-	+	-	+	-	-	+	-	+	-	+
Common→ Port 7	+	-	-	+	+	-	-	+	-	+	+	-	-	+	-	+
Common→ Port 8	-	+	+	-	+	-	-	+	-	+	+	-	-	+	-	+

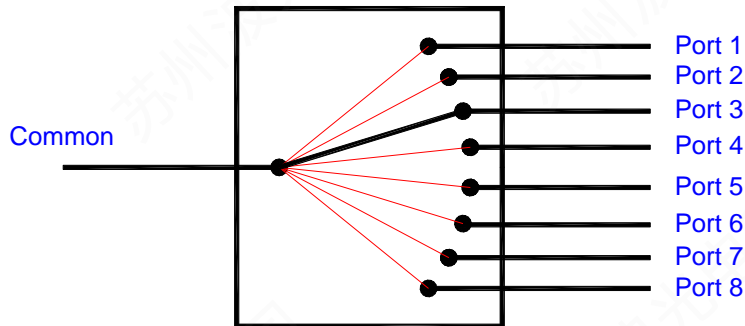
[1]. "+": 2.25~2.75V Pulse, Topical is 2.5V pulse; "-": Ground.

### Unidirectional series 8x1 Switch Electrical Driving Table

Optical Path	Pin Group 1		Pin Group 2		Pin Group 3		Pin Group 4		Pin Group 5		Pin Group 6		Pin Group 7		Pin Group 8	
	1	2	3	4	5	6	7	8	9	10	11	12	13	14	15	16
Common→ Port 1	-	+ [1]	-	+	+	-	+	-	-	+	+	-	+	-	-	+
Common→ Port 2	+	-	+	-	+	-	+	-	-	+	+	-	+	-	-	+
Common→ Port 3	-	+	+	-	+	-	+	-	-	+	+	-	-	+	-	+
Common→ Port 4	+	-	-	+	+	-	+	-	-	+	+	-	-	+	-	+
Common→ Port 5	-	+	+	-	-	+	-	+	+	-	+	-	-	+	-	+
Common→ Port 6	+	-	-	+	-	+	-	+	+	-	+	-	-	+	-	+
Common→ Port 7	-	+	+	-	-	+	+	-	+	-	+	-	-	+	-	+
Common→ Port 8	+	-	-	+	-	+	+	-	+	-	+	-	-	+	-	+

[1]. "+": 2.25~2.75V Pulse, Topical is 2.5V pulse; "-": Ground.

### Functional Diagram



## 1x8 Series Fiber Optic Switch

(SM, PM, SM High Power, PM High Power, SM Bidirectional, PM Bidirectional, SM High Power Bidirectional, PM High Power Bidirectional)

### Ordering Information

Prefix	Type	Wavelength	Switch	Package	Fiber Type	Fiber Cover	Fiber Length	Connector <sup>[9]</sup>
CLSW- <sup>[1]</sup>	1x8=18	1310 = 3	Dual Stage = 2	Standard = 2	SMF-28 = 1	Bare fiber = 1	0.25m = 1	None = 1
CLPM- <sup>[2]</sup>	8x1=81	1550 = 5		-40~+85°C = A	PM 1550 = B	900 μm tube = 3	0.5m = 2	FC/PC = 2
CLHP- <sup>[3]</sup>	1x7=17	Special = 0		-40~+70°C = B	Special = 0	Special = 0	1.0m = 3	FC/APC = 3
CLBD- <sup>[4]</sup>	7x1=71			-20~+85°C = C			Special = 0	SC/PC = 4
CLPH- <sup>[5]</sup>	1x6=16			-20~+70°C = D				SC/APC = 5
CLHB- <sup>[6]</sup>	6x1=61			Special = 0				ST/PC = 6
CLPB- <sup>[7]</sup>	1x5=15							LC/PC = 7
CPHB- <sup>[8]</sup>	5x1=51							Duplex LC = 8 Special = 0

[1]. **CLSW**: CrystaLatch Dual Stage 1x8 **SWITCH**.

[2]. **CLPM**: CrystaLatch Dual Stage 1x8 **PM** Switch.

[3]. **CLHP**: CrystaLatch Dual Stage 1x8 **Power** Switch.

[4]. **CLBD**: CrystaLatch Dual Stage 1x8 **BIDIRECTIONAL** Switch.

[5]. **CLPH**: CrystaLatch Dual Stage 1x8 **PM High Power** Switch.

[6]. **CLHB**: CrystaLatch Dual Stage 1x8 **High Power Bidirectional** Switch.

[7]. **CLPB**: CrystaLatch Dual Stage 1x8 **PM Bidirectional** Switch.

[8]. **CPHB**: CrystaLatch Dual Stage 1x8 **PM High Power Bidirectional** Switch.

[9]. There isn't any connector in high power switches. Please contact us for high power connectors.