

# NIR-MPX950-LN Series

## 950 nm band Phase Modulators

The iXblue NIR-MPX950 series are phase modulators especially designed to operate in the 950 nm wavelength band. They are available with various modulation bandwidth, from low frequency to 20 GHz and beyond. Like all iXblue Near InfraRed (NIR) modulators, the NIR-MPX950 series use a proton exchanged based waveguide process that confers them an unparalleled stability and a high photo-refractive threshold.



### FEATURES

- High optical power handling
- Wide bandwidth
- High stability
- Low  $V_{\pi}$
- Low insertion loss

### APPLICATIONS

- Beam Combining
- Interferometric based sensors
- Quantum optics
- Frequency shifting
- Pound-Drever-Hall locking (PDH)
- Spectrum Broadening

### OPTIONS

- 850 nm and 1060 nm versions
- Space grade version

### RELATED EQUIPMENTS

- RF amplifiers
- NIR-MX950-LN intensity modulators
- Reference transmitter Modbox-VNA
- 30ps optical pulse Modbox-PC

### NIR-MPX950-LN-0.1 series Performance Highlights

Parameter	Min	Typ	Max	Unit
Operating wavelength	850	900	950	nm
Usable electro-optical bandwidth	-	300	-	MHz
$V_{\pi}$ RF @50 kHz	-	2.2	-	V
Insertion loss	-	3.5	-	dB

### NIR-MPX950-LN-05 series Performance Highlights

Parameter	Min	Typ	Max	Unit
Operating wavelength	850	900	950	nm
Usable electro-optical bandwidth	-	10	-	GHz
$V_{\pi}$ RF @50 kHz	-	3.5	-	V
Insertion loss	-	3.5	-	dB

### NIR-MPX950-LN-10 series Performance Highlights

Parameter	Min	Typ	Max	Unit
Operating wavelength	850	900	950	nm
Usable electro-optical bandwidth	-	16	-	GHz
$V_{\pi}$ RF @50 kHz	-	4.5	-	V
Insertion loss	-	3.5	-	dB

### NIR-MPX950-LN-20 series Performance Highlights

Parameter	Min	Typ	Max	Unit
Operating wavelength	850	900	950	nm
Usable electro-optical bandwidth	-	20	-	GHz
$V_{\pi}$ RF @50 kHz	-	4.5	-	V
Insertion loss	-	3.5	-	dB

# NIR-MPX950-LN-0.1

## 300 MHz Phase Modulator

### Electrical Characteristics

Parameter	Symbol	Condition	Min	Typ	Max	Unit
Electro-optical bandwidth	$S_{21}$	-	100	150	-	MHz
Usable electro-optical bandwidth	$S_{21}$	-	-	300	-	MHz
$V_{\pi}$ RF @50 kHz	$V_{\pi_{RF50\text{ kHz}}}$	-	-	2.2	3.2	V
RF input impedance	$Z_{in-RF}$	-	-	10 000	-	$\Omega$

### Optical Characteristics

Parameter	Symbol	Condition	Min	Typ	Max	Unit
Crystal	-	-	Lithium Niobate X-Cut Y-Prop			
Wavelength	-	-	Proton exchange			
Operating wavelength	$\lambda$	-	850	900	950	nm
Insertion loss	IL	Without optical connectors	-	3.5	5.5	dB
Optical return loss	ORL	-	-40	-45	-	dB

All specifications given at 25 °C, 944 nm, unless differently specified.

### Absolute Maximum Ratings

Stresses in excess of the absolute maximum ratings can cause permanent damage to the device. These are absolute stress ratings only. Functional operation of the device is not implied at these or any other conditions in excess of those given in the operational sections of the data sheet. Exposure to absolute maximum ratings for extended periods can adversely affect device reliability.

Parameter	Symbol	Min	Max	Unit
Modulation voltage range	$EV_{in}$	-20	+20	V
Optical input power (CW mode)	$OP_{in}$	-	14	dBm
Operating temperature	OT	0	+70	°C
Storage temperature	ST	-40	+85	°C

# NIR-MPX950-LN-05

## 10 GHz Phase Modulator

### Electrical Characteristics

Parameter	Symbol	Condition	Min	Typ	Max	Unit
Electro-optical bandwidth	$S_{21}$	RF electrodes, from 2 GHz	5	-	-	GHz
Usable electro-optical bandwidth	$S_{21}$	RF electrodes, from 2 GHz	-	10	-	GHz
Ripple $S_{21}$	$\Delta S_{21}$	-	-	0.5	1	dB
Electrical return loss	$S_{11}$	-	-	-12	-10	dB
$V_{\pi}$ RF @50 kHz	$V_{\pi_{RF50\text{ kHz}}}$	-	-	3.5	4.5	V
RF input impedance	$Z_{in-RF}$	-	-	50	-	$\Omega$

### Optical Characteristics

Parameter	Symbol	Condition	Min	Typ	Max	Unit
Crystal	-	-	Lithium Niobate X-Cut Y-Prop			
Wavelength process	-	-	Proton exchange			
Operating wavelength	$\lambda$	-	850	900	950	nm
Insertion loss	IL	Without optical connectors	-	3.5	5.5	dB
Optical return loss	ORL	-	-40	-45	-	dB

All specifications given at 25 °C, 944 nm, unless differently specified.

### Absolute Maximum Ratings

Stresses in excess of the absolute maximum ratings can cause permanent damage to the device. These are absolute stress ratings only. Functional operation of the device is not implied at these or any other conditions in excess of those given in the operational sections of the data sheet. Exposure to absolute maximum ratings for extended periods can adversely affect device reliability.

Parameter	Symbol	Min	Max	Unit
RF input power (CW mode)	$EP_{in}$	-	+28	dBm
Optical input power (CW mode)	$OP_{in}$	-	+14	dBm
Operating temperature	OT	0	+70	°C
Storage temperature	ST	-40	+85	°C

# NIR-MPX950-LN-10

## 16 GHz Phase Modulator

### Electrical Characteristics

Parameter	Symbol	Condition	Min	Typ	Max	Unit
Electro-optical bandwidth	$S_{21}$	RF electrodes, from 2 GHz	10	12	-	GHz
Usable electro-optical bandwidth	$S_{21}$	RF electrodes, from 2 GHz	-	16	-	GHz
Ripple $S_{21}$	$\Delta S_{21}$	-	-	0.5	1	dB
Electrical return loss	$S_{11}$	-	-	-12	-10	dB
$V_{\pi}$ RF @50 kHz	$V_{\pi_{RF50\text{ kHz}}}$	-	-	4.5	5.5	V
RF input impedance	$Z_{in-RF}$	-	-	50	-	$\Omega$

### Optical Characteristics

Parameter	Symbol	Condition	Min	Typ	Max	Unit
Crystal	-	-	Lithium Niobate X-Cut Y-Prop			
Wavelength process	-	-	Proton exchange			
Operating wavelength	$\lambda$	-	850	900	950	nm
Insertion loss	IL	Without optical connectors	-	3.5	5.5	dB
Optical return loss	ORL	-	-40	-45	-	dB

All specifications given at 25 °C, 944 nm, unless differently specified.

### Absolute Maximum Ratings

Stresses in excess of the absolute maximum ratings can cause permanent damage to the device. These are absolute stress ratings only. Functional operation of the device is not implied at these or any other conditions in excess of those given in the operational sections of the data sheet. Exposure to absolute maximum ratings for extended periods can adversely affect device reliability.

Parameter	Symbol	Min	Max	Unit
RF input power (CW mode)	$EP_{in}$	-	+28	dBm
Optical input power (CW mode)	$OP_{in}$	-	+14	dBm
Operating temperature	OT	0	+70	°C
Storage temperature	ST	-40	+85	°C

# NIR-MPX950-LN-20

## 20 GHz Phase Modulator

### Electrical Characteristics

Parameter	Symbol	Condition	Min	Typ	Max	Unit
Electro-optical bandwidth	$S_{21}$	RF electrodes, from 2 GHz	16	20	-	GHz
Ripple $S_{21}$	$\Delta S_{21}$	-	-	0.5	1	dB
Electrical return loss	$S_{11}$	-	-	-12	-10	dB
$V_{\pi}$ RF @50 kHz	$V_{\pi_{RF50\text{ kHz}}}$	-	-	4.5	5.5	V
RF input impedance	$Z_{in-RF}$	-	-	50	-	$\Omega$

### Optical Characteristics

Parameter	Symbol	Condition	Min	Typ	Max	Unit
Crystal	-	-	Lithium Niobate X-Cut Y-Prop			
Wavelength process	-	-	Proton exchange			
Operating wavelength	$\lambda$	-	850	900	950	nm
Insertion loss	IL	Without optical connectors	-	3.5	5.5	dB
Optical return loss	ORL	-	-40	-45	-	dB

All specifications given at 25 °C, 944 nm, unless differently specified.

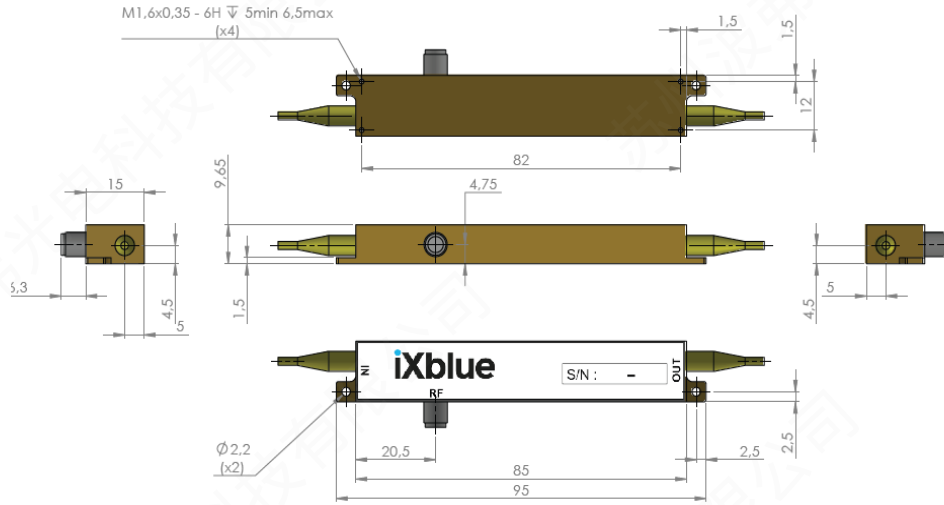
### Absolute Maximum Ratings

Stresses in excess of the absolute maximum ratings can cause permanent damage to the device. These are absolute stress ratings only. Functional operation of the device is not implied at these or any other conditions in excess of those given in the operational sections of the data sheet. Exposure to absolute maximum ratings for extended periods can adversely affect device reliability.

Parameter	Symbol	Min	Max	Unit
RF input power (CW mode)	$EP_{in}$	-	+28	dBm
Optical input power (CW mode)	$OP_{in}$	-	+14	dBm
Operating temperature	OT	0	+70	°C
Storage temperature	ST	-40	+85	°C

### Mechanical Diagram and Pinout

All measurements in mm



Port	Function	Note
IN	Optical input port	Polarization maintaining 800 nm Corning PM 85-U25D length: 1.5 meter, buffer diameter: 900 μm
OUT	Optical output port	Polarization maintaining 800 nm Corning PM 85-U25D length: 1.5 meter, buffer diameter: 900 μm
RF	RF input port	Female K

### Ordering information

Bandwidth : **0.1** (150 MHz), **05** (5 GHz), **10** (10 GHz), **20** (20 GHz)

Input fiber : **P** (Polarisation maintaining)

Output fiber : **P** (Polarisation maintaining)

Input connector : **00** (bare fiber), **FA** (FC/APC)

Output connector : **00** (bare fiber), **FA** (FC/APC)

NIR-MPX950-LN-□-00-□-□-□-□

### About us

iXblue Photonics produces specialty optical fibers and Bragg gratings based fiber optics components and provides optical modulation solutions based on the company lithium niobate (LiNbO<sub>3</sub>) modulators and RF electronic modules.

iXblue Photonics serves a wide range of industries: sensing and instruments, defense, telecommunications, space and fiber lasers as well as research laboratories all over the world.

iXblue reserves the right to change, at any time and without notice, the specifications, design, function or form of its products described herein. All statements, specification, technical information related to the products herein are given in good faith and based upon information believed to be reliable and accurate at the moment of printing. However the accuracy and completeness thereof is not guaranteed. No liability is assumed for any inaccuracies and as a result of use of the products. The user must validate all parameters for each application before use and he assumes all risks in connection with the use of the products.

