

FEATURES

- Low and wide electro-optical bandwidth
- C & L bands
- Low insertion loss
- Low V_{π}

APPLICATIONS

- Side bands generation
- Interferometric sensing
- Frequency shifting / broadening
- Quantum key distribution
- High data rate telecommunications
- Laser combining
- Pound-Drever-Hall locking (PDH)

OPTIONS

- Low residual intensity modulation
- Low insertion loss
- High electrical input power capability

RELATED EQUIPMENTS

- Matched RF amplifiers
- MX, MXAN, MXER Amplitude modulators
- Short optical pulse ModBox

The MPX-LN and MPZ-LN series make up the most comprehensive range of electro-optic phase modulators available on the market for the 1550 nm wavelength band.

- The MPZ-LN series are ideally suited for high bandwidth operation at 1 GHz, 10 GHz, 20 GHz and up to 40 GHz.
- The MPX-LN-0.1 has a high impedance input optimized for modulation frequencies below 150 MHz.

Designed using state-of-the-art and proven lithium niobate technology, MPX-LN and MPZ-LN phase modulators are easy to operate and to integrate. They offer the highest performance for a wide range of applications from laboratory experiments to demanding industrial systems.

Low and Medium Bandwidth Phase Modulators - Highlights

Parameter	MPX-LN-0.1	MPZ-LN-01
Operating wavelength	1530 nm - 1625 nm	
Electro-optical bandwidth	150 MHz	1.5 GHz
V_{π} RF @50 kHz	3.5 V	3 V
Insertion loss	2.7 dB	2.5 dB

Specifications given at 25 °C, 1550 nm.

Wide Bandwidth Phase Modulators - Highlights

Parameter	MPZ-LN-10	MPZ-LN-20	MPZ-LN-40
Operating wavelength	1530 nm - 1625 nm		
Electro-optical bandwidth	12 GHz	25 GHz	33 GHz
V_{π} RF @50 kHz	4 V	4.5 V	6 V
Insertion loss	2.5 dB	2.5 dB	2.5 dB

Specifications given at 25 °C, 1550 nm.

MPX-LN-0.1 150 MHz Phase Modulator

Electrical Characteristics

Parameter	Symbol	Condition	Min	Typ	Max	Unit
Electro-optic bandwidth	S_{21}	-	-	150	-	MHz
V_{π} RF @50 kHz	V_{π} RF _{50 kHz}	-	-	3.5	4	V
RF input impedance	Z_{in-RF}	-	-	10 000	-	Ω

Optical Characteristics

Parameter	Symbol	Condition	Min	Typ	Max	Unit
Crystal	-	-	Lithium Niobate X-Cut Y-Prop			
Waveguide process	-	-	Ti diffusion			
Operating wavelength	λ	-	1530	1550	1625	nm
Insertion loss	IL	Without optical connectors	-	2.7	3.5	dB
Polarization dependent loss	PDL	-	-	5	8	dB
Optical return loss	ORL	-	-40	-45	-	dB

All specifications given at 25 °C, 1550 nm, unless differently specified.

Absolute Maximum Ratings

Stresses in excess of the absolute maximum ratings can cause permanent damage to the device. These are absolute stress ratings only. Functional operation of the device is not implied at these or any other conditions in excess of those given in the operational sections of the data sheet. Exposure to absolute maximum ratings for extended periods can adversely affect device reliability.

Parameter	Symbol	Min	Max	Unit
Modulation voltage range	EV_{in}	-20	20	V
Optical input power	OP_{in}	-	20	dBm
Operating temperature	OT	0	+70	°C
Storage temperature	ST	-40	+85	°C

MPZ-LN-01 1 GHz Phase Modulator

Electrical Characteristics

Parameter	Symbol	Condition	Min	Typ	Max	Unit
Electro-optic bandwidth	S_{21}	-	1	1.5	-	GHz
Ripple S_{21}	ΔS_{21}	-	-	0.5	-	dB
Electrical return loss	S_{11}	-	-	-15	-12	dB
V_{π} RF @ 50 kHz	$V_{\pi RF_{50\text{ kHz}}}$	-	-	3	3.5	V
V_{π} RF @ 1 GHz	$V_{\pi RF_{1\text{ GHz}}}$	-	-	3.1	3.6	V
Impedance matching	Z_{in-RF}	-	-	50	-	Ω

Optical Characteristics

Parameter	Symbol	Condition	Min	Typ	Max	Unit
Crystal	-	-	Lithium Niobate Z-Cut, X-Prop			
Waveguide process	-	-	Ti diffusion			
Operating wavelength	λ	-	1530	1550	1570	nm
Insertion loss	IL	Without connectors	-	2.5	3.5	dB
Optical return loss	ORL	-	-40	-45	-	dB

All specifications given at 25 °C, 1550 nm, unless differently specified.

Absolute Maximum Ratings

Stresses in excess of the absolute maximum ratings can cause permanent damage to the device. These are absolute stress ratings only. Functional operation of the device is not implied at these or any other conditions in excess of those given in the operational sections of the data sheet. Exposure to absolute maximum ratings for extended periods can adversely affect device reliability.

Parameter	Symbol	Min	Max	Unit
RF input power	EP_{in}	-	33	dBm
Optical input power	OP_{in}	-	20	dBm
Operating temperature	OT	0	+70	°C
Storage temperature	ST	-40	+85	°C

MPZ-LN-10 10 GHz Phase Modulator

Electrical Characteristics

Parameter	Symbol	Condition	Min	Typ	Max	Unit
Electro-optic bandwidth	S_{21}	RF electrodes, from 2 GHz	10	12	-	GHz
Ripple S_{21}	ΔS_{21}	-	-	0.5	1	dB
Electrical return loss	S_{11}	-	-	-17	-14	dB
Electrical return loss - HEP option	S_{11}	-	-	-14	-10	dB
V_{π} RF @ 50 kHz	$V_{\pi RF_{50\text{ kHz}}}$	-	-	4	5	V
V_{π} RF @ 10 GHz	$V_{\pi RF_{10\text{ GHz}}}$	-	-	6	7	V
Impedance matching	Z_{in-RF}	-	-	50	-	Ω

Optical Characteristics

Parameter	Symbol	Condition	Min	Typ	Max	Unit
Crystal	-	-	Lithium Niobate Z-Cut Y-Prop			
Waveguide process	-	-	Ti diffusion			
Operating wavelength	λ	-	1530	1550	1625	nm
Insertion loss	IL	Without optical connectors	-	2.5	3.5	dB
Low insertion loss option	LIL	Without optical connectors	-	2	2.5	dB
Optical return loss	ORL	-	-40	-45	-	dB

All specifications given at 25 °C, 1550 nm, unless differently specified.

Absolute Maximum Ratings

Stresses in excess of the absolute maximum ratings can cause permanent damage to the device. These are absolute stress ratings only. Functional operation of the device is not implied at these or any other conditions in excess of those given in the operational sections of the data sheet. Exposure to absolute maximum ratings for extended periods can adversely affect device reliability.

Parameter	Symbol	Min	Max	Unit
RF input power	EP_{in}	-	28	dBm
High electrical input power option	HEP_{in}	-	33	dBm
Optical input power	OP_{in}	-	20	dBm
Operating temperature	OT	0	+70	°C
Storage temperature	ST	-40	+85	°C

MPZ-LN-20 20 GHz Phase Modulator

Electrical Characteristics

Parameter	Symbol	Condition	Min	Typ	Max	Unit
Electro-optic bandwidth	S_{21}	RF electrodes, from 2 GHz	20	25	-	GHz
Ripple S_{21}	ΔS_{21}	-	-	0.5	1	dB
Electrical return loss	S_{11}	-	-	-12	-10	dB
$V\pi$ RF @50 kHz	$V\pi$ RF _{50 kHz}	-	-	4.5	5.5	V
$V\pi$ RF @20 GHz	$V\pi$ RF _{20 GHz}	-	-	6.5	7.5	V
Impedance matching	Z_{in-RF}	-	-	50	-	Ω

Optical Characteristics

Parameter	Symbol	Condition	Min	Typ	Max	Unit
Crystal	-	-	Lithium Niobate Z-Cut Y-Prop			
Waveguide process	-	-	Ti diffusion			
Operating wavelength	λ	-	1530	1550	1625	nm
Insertion loss	IL	Without connectors	-	2.5	3	dB
Optical return loss	ORL	-	-40	-45	-	dB

All specifications given at 25 °C, 1550 nm, unless differently specified.

Absolute Maximum Ratings

Stresses in excess of the absolute maximum ratings can cause permanent damage to the device. These are absolute stress ratings only. Functional operation of the device is not implied at these or any other conditions in excess of those given in the operational sections of the data sheet. Exposure to absolute maximum ratings for extended periods can adversely affect device reliability.

Parameter	Symbol	Min	Max	Unit
RF input power	EP _{in}	-	28	dBm
Optical input power	OP _{in}	-	20	dBm
Operating temperature	OT	0	+70	°C
Storage temperature	ST	-40	+85	°C

MPZ-LN-40 40 GHz Phase Modulator

Electrical Characteristics

Parameter	Symbol	Condition	Min	Typ	Max	Unit
Electro-optic bandwidth	S_{21}	RF electrodes, from 2 GHz	30	33	-	GHz
Ripple S_{21}	ΔS_{21}	-	-	0.5	1	dB
Electrical return loss	S_{11}	-	-	-12	-9	dB
V_{π} RF @50 kHz	$V_{\pi \text{ RF } 50 \text{ kHz}}$	-	-	6	7	V
V_{π} RF @30 GHz	$V_{\pi \text{ RF } 30 \text{ GHz}}$	-	-	8.5	10	V
Impedance matching	$Z_{\text{in-RF}}$	-	-	50	-	Ω

Optical Characteristics

Parameter	Symbol	Condition	Min	Typ	Max	Unit
Crystal	-	-	Lithium Niobate Z-Cut Y-Prop			
Waveguide process	-	-	Ti diffusion			
Operating wavelength	λ	-	1530	1550	1625	nm
Insertion loss	IL	Without connectors	-	2.5	3	dB
Optical return loss	ORL	-	-40	-45	-	dB

All specifications given at 25 °C, 1550 nm, unless differently specified.

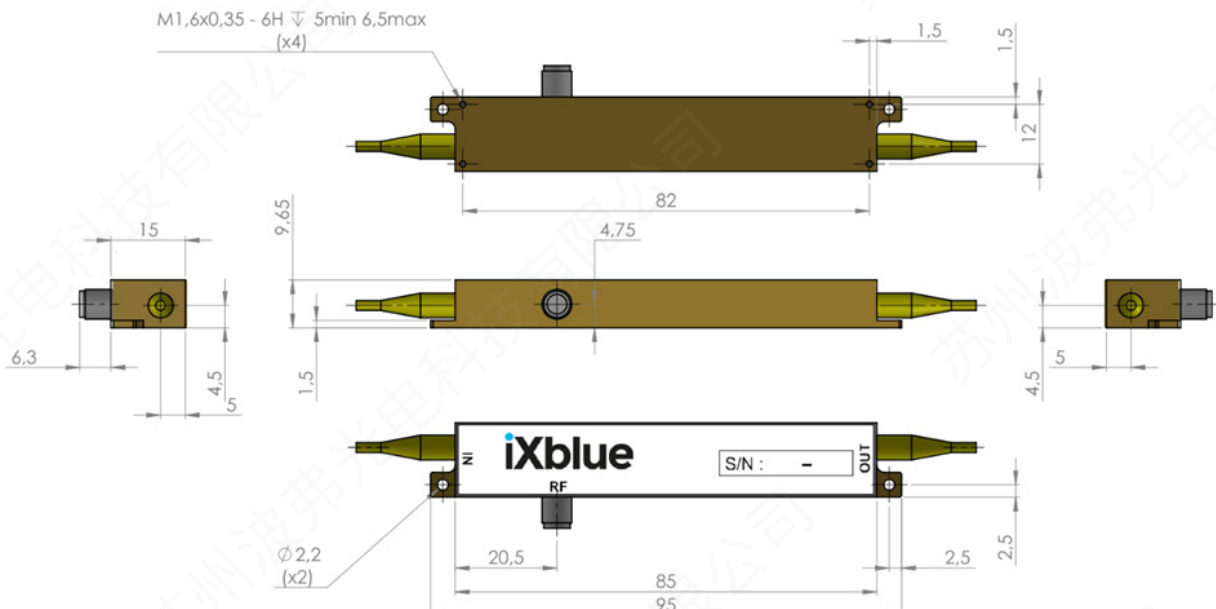
Absolute Maximum Ratings

Stresses in excess of the absolute maximum ratings can cause permanent damage to the device. These are absolute stress ratings only. Functional operation of the device is not implied at these or any other conditions in excess of those given in the operational sections of the data sheet. Exposure to absolute maximum ratings for extended periods can adversely affect device reliability.

Parameter	Symbol	Min	Max	Unit
RF input power	EP_{in}	-	28	dBm
Optical input power	OP_{in}	-	20	dBm
Operating temperature	OT	0	+70	°C
Storage temperature	ST	-40	+85	°C

Mechanical Diagram and Pinout

All measurements in mm



Port	Function	Note
IN	Optical input port	Polarization maintaining 1550 nm Corning PM 15-U25D length : 1.5 meter, buffer diameter : 900 um
OUT	Optical output port	Polarization maintaining 1550 nm Corning PM 15-U25D length : 1.5 meter, buffer diameter : 900 um
RF	RF input port	Female K MPZ-LN-40: 2.4 mm, female, compatible to mate with V / 1.85 mm connectors (K Option)

Ordering information

MPX-LN-XX-00-P-P-AB-CD / MPZ-LN-WW-00-P-P-AB-CD -POL
-HEP
-LIL

XX = X-cut Bandwidth: 0.1 150 MHz
 WW = Z-cut Bandwidth : 01 01 GHz 10 10 GHz 20 20 GHz 40 40 GHz
 P = Single Mode and Polarization Maintaining fiber
 AB = Input connector : 00 bare fiber FA FC/APC FC FC/SPC
 CD = Output connector : 00 bare fiber FA FC/APC FC FC/SPC
 POL = Embedded in-line POLarizer
 HEP = High Electrical Power option for the MPZ-LN-10 only
 LIL = Low Insertion Loss option for the MPZ-LN-10 only
 Note : optical connectors are Senko with narrow key or equivalent

About us

iXblue Photonics produces specialty optical fibers and Bragg gratings based fiber optics components and provides optical modulation solutions based on the company lithium niobate (LiNbO₃) modulators and RF electronic modules.

iXblue Photonics serves a wide range of industries: sensing and instruments, defense, telecommunications, space and fiber lasers as well as research laboratories all over the world.

3, rue Sophie Germain
25 000 Besançon - FRANCE
Tel. : +33 (0)1 30 08 87 43

iXblue reserves the right to change, at any time and without notice, the specifications, design, function or form of its products described herein. All statements, specification, technical information related to the products herein are given in good faith and based upon information believed to be reliable and accurate at the moment of printing. However the accuracy and completeness thereof is not guaranteed. No liability is assumed for any inaccuracies and as a result of use of the products. The user must validate all parameters for each application before use and he assumes all risks in connection with the use of the products